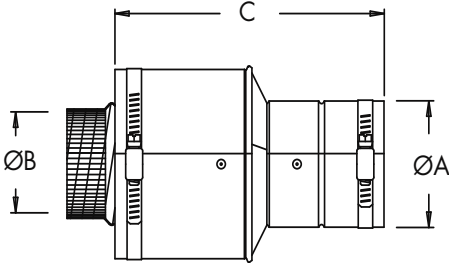


# Direct Vent Oil

## Dimensional Spec Sheets

### Oil Vent Connector

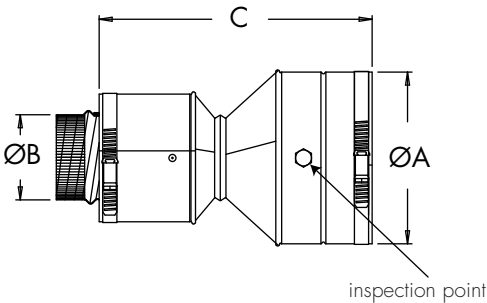
Adapts insulated Flex Vent to appliance or termination.



A	B	C	PART ID	DESCRIPTION
2"	2"	7"	2OILCON02	Connector Oil Vent 2" To 2" Flex
3"	3"	7"	2OILCON03	Connector Oil Vent 3" To 3" Flex
4"	4"	7"	2OILCON04	Connector Oil Vent 4" To 4" Flex
5"	5"	7"	2OILCON05	Connector Oil Vent 5" To 5" Flex
6"	6"	7"	2OILCON06	Connector Oil Vent 6" To 6" Flex

### Oil Vent Connector w/inspection port

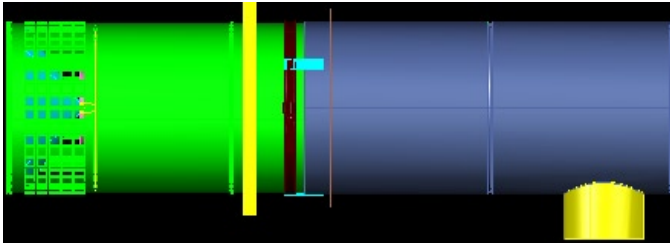
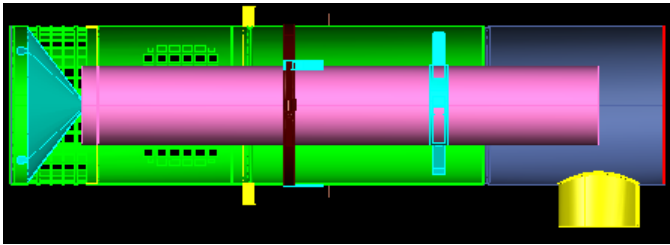
Adapts insulated Flex Vent to appliance. The adapter is supplied with an inspection port for combustion analyzer.



A	B	C	PART ID	DESCRIPTION
3"	3"	9"	2OILCON03IP	Connector Oil Vent 3" To 3" Flex /w Inspection Port
4"	4"	9"	2OILCON04IP	Connector Oil Vent 4" To 4" Flex /w Inspection Port
4"	3"	9"	2OILCON043IP	Connector Oil Vent 4" To 3" Flex /w Inspection Port
5"	3"	9"	2OILCON53IP	Connector Oil Vent 5" To 3" Flex /w Inspection Port
5"	4"	9"	2OILCON54IP	Connector Oil Vent 5" To 4" Flex /w Inspection Port
6"	3"	9"	2OILCON63IP	Connector Oil Vent 6" To 3" Flex /w Inspection Port
6"	4"	9"	2OILCON64IP	Connector Oil Vent 6" To 4" Flex /w Inspection Port
6"	5"	9"	2OILCON65IP	Connector Oil Vent 6" To 5" Flex /w Inspection Port
7"	3"	9"	2OILCON73IP	Connector Oil Vent 7" To 3" Flex /w Inspection Port
7"	4"	9"	2OILCON74IP	Connector Oil Vent 7" To 4" Flex /w Inspection Port
7"	5"	9"	2OILCON75IP	Connector Oil Vent 7" To 5" Flex /w Inspection Port
7"	6"	9"	2OILCON76IP	Connector Oil Vent 7" To 6" Flex /w Inspection Port

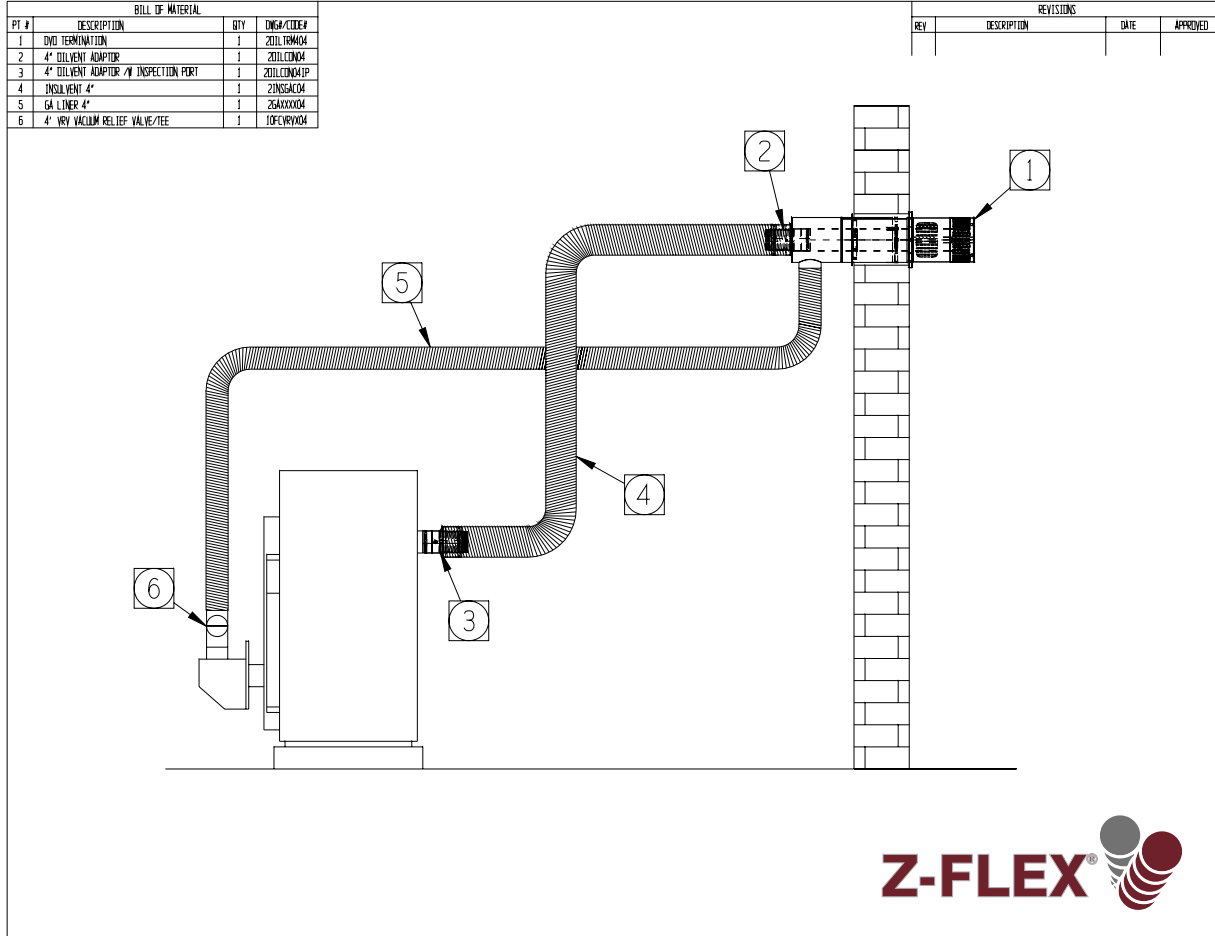
### DVO Termination

The DVO termination is concentric, through the wall single penetration assembly designed for easy installation. The inner pipe exhausts products of combustion while the outer allows for combustion air intake. Adjustable wall plates accommodate standard wall thickness.



# Direct Vent Oil

## Dimensional Spec Sheets



# Direct Vent Oil

## Dimensional Spec Sheets

BILL OF MATERIAL			
PT #	DESCRIPTION	QTY	ENGA/CODE#
1	4" 26" COAXIAL TERMINATION	1	201LTM604
2	4" DILVENT ADAPTOR	1	201LCO04
3	4" DILVENT ADAPTOR w/ INSPECTION PORT	1	201LCO04IP
4	INSULVENT 4"	1	21NSGAC04
5	GA LINER 4"	1	26AXX004
6	4" VRY VACUUM RELIEF VALVE/TEE	1	10FEVRY04

REVISIONS			
REV	DESCRIPTION	DATE	APPROVED

